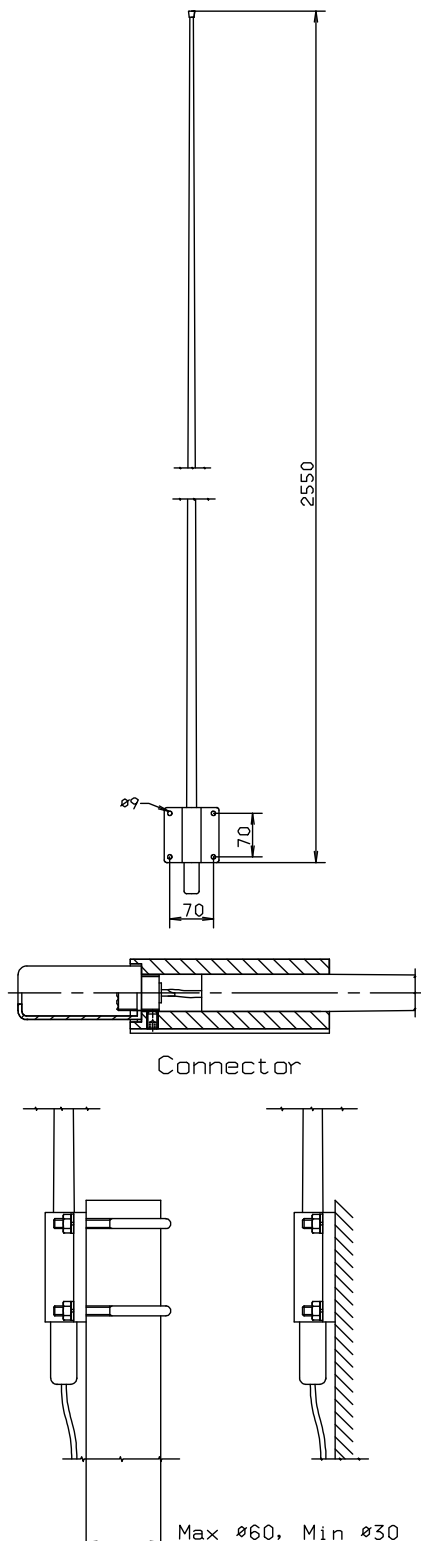


COMROD AR30M8

8' - 2.6 m Marine Receiving Whip



Application:

AR30M8 is an efficient fibreglass receiving antenna for the marine coastal and HF communication frequencies.

Electrical specifications:

Frequency range	0.5-30 MHz
Pattern	Omnidirectional
Polarization	Vertical
Connection	UHF female connector.

Mechanical specifications:

Design	Selfsupporting fibreglass whip with aluminium armature for mounting and connection.
Height	2.55 m (8.7 ft)
Weight	0.7 kg, including U-bolts.
Number of sections	1
Wind rating	55 m/s = 125 mph
Moment of flexure	4.5 kpm at 55 m/s
Deflection due to wind load	1.6 m (5.3 ft) at tip ball at 55 m/s wind load
Finish	Polyurethane lacquer, white
Temperature range	-55 °C, +55 °C; -67 °F, +131 °F

Mounting:

AR30M8 is easily mounted to the bulkhead by means of 4 holes in the aluminium bracket, or to a mast or tube with U-bolts. The U-bolts in stainless steel, are included. Suitable cable: RG8, RG213 or similar.