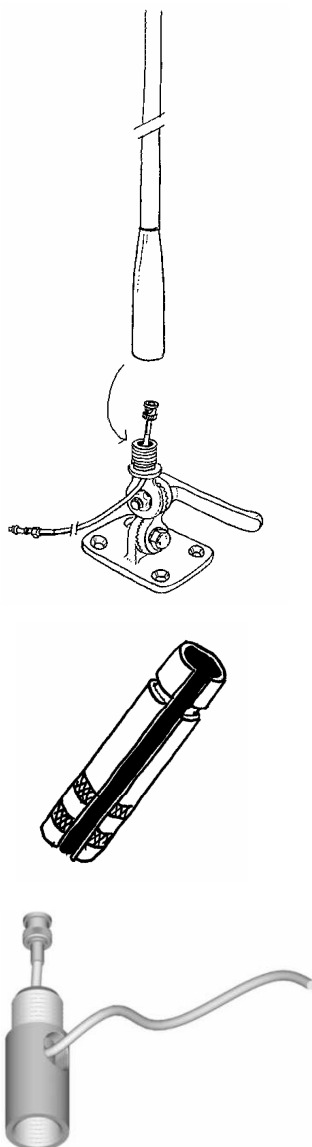


COMROD AM/FM60BI8

8' Marine AM/FM & Navtex Antenna



Application:

The AM/FM60-BI8 is broadcast receiving antenna. It is designed for use on pleasure craft, but the high quality means it may be installed on all kinds of vessels. The antenna is also well suited as a passive Navtex receiving antenna.

It comes with integrated BNC coaxial contact.

Electrical specifications:

Frequency range	0.15 – 108 MHz
Nominal impedance	75 ohm
Power rating	Receiving antenna
Polarization	Vertical
Connector	BNC female.
DC-grounded	Yes

Mechanical specifications:

Design	Whip with transformer. Radiating element completely enclosed in polyurethane foam within a fiberglass tube.
Height	8' (2,45 m.)
Weight	1.1 kg
Wind rating	55 m/s = 125 mph
Finish	Polyurethane lacquer, white
Temperature range	-55 °C, +71 °C; -67 °F, +160°F

Mounting:

The AMFM60BI8 is fitted with UNS1"x14 female ferrules. Can be used with all standard mounting accessories. Integrated BNC female coaxial connector. All BI versions come with a tool to mount the BNC male coaxial connector inside the stainless steel ferrule.

AV-C adapter: To be able to make all 4ft. And 8ft. –BI version antennas – to a side feed cable version (to compensate for all C-version) - AV-C adapter is required .

4-way bracket and coaxial cable not included

UNS: Unifield Special

Accessories: (optional extra)

RG58 Cable.

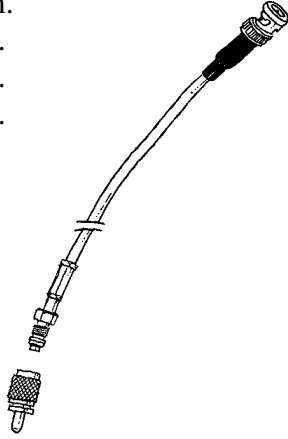
Available in:

40ft 12m.

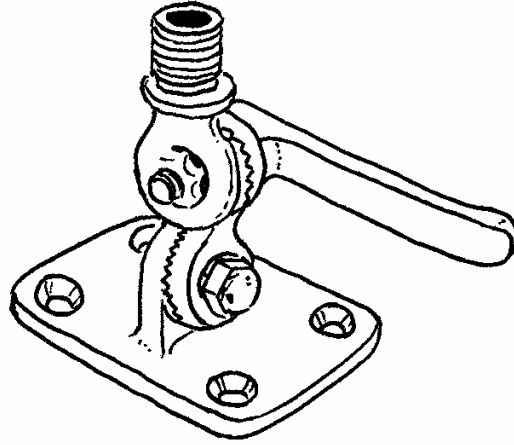
23ft 7m.

16ft 5m.

2ft 0,6m.



4 way bracket.



Extension
Masts.

