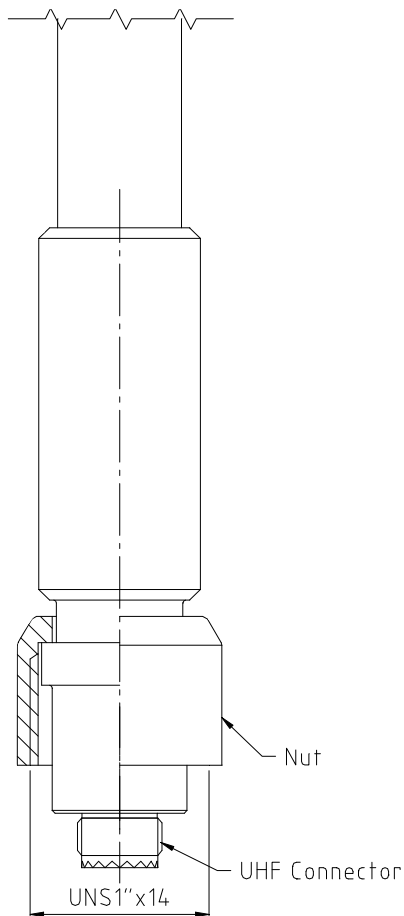


COMROD AC16P4-US

4' - Dual Band Cellular



Application:

The AC16P4-US is a high quality antenna designed for the analog / digital 800 and PCS 1900 cellular radio telephone service. It is a high quality antenna with a durable construction a beautiful finish for installation on all kind of vessels.

It does not require a ground plane.

Electrical specifications:

Frequency range	824-894 MHz, VSWR <25 1850-1990 MHz, VSWR <2
Nominal impedance	50 ohm
Power rating	25 W
Gain	3 dB
Pattern	Horizontal plane: Omnidirectional
Polarization	Vertical
Connector	UHF female

Mechanical specifications:

Design	Stacked dipoles. Radiating elements completely enclosed in polyurethane foam within a fiberglass tube.
Height	4' (1,25 m)
Weight	0,5 kg
Wind rating	55 m/s = 125 mph
Finish	Stainless steel, polyurethane lacquer, white
Temperature range	-55 °C, +71 °C; -67 °F, +160°F

Mounting:

The AC16P4-US is fitted with UNS1"x14 male ferrules and BSP1" x 11 nut.

Adapter for UNS1"x14 female ferrules is available (see reverse page).

Can be used with all standard mounting accessories.

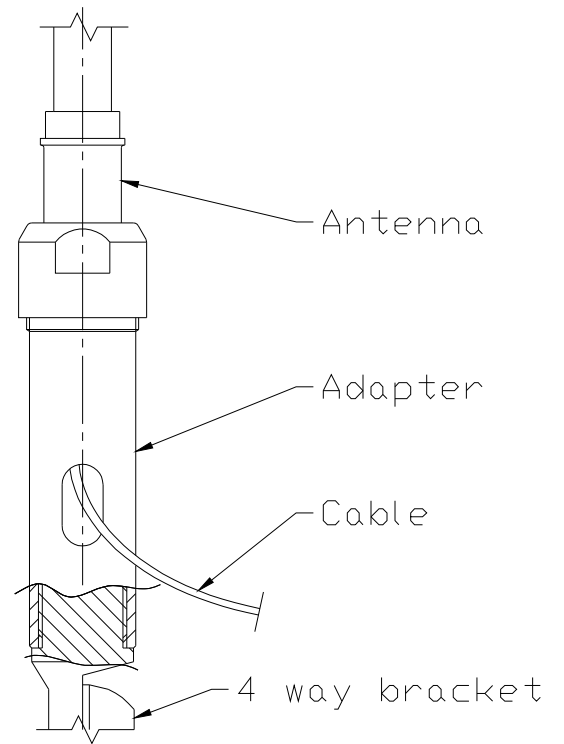
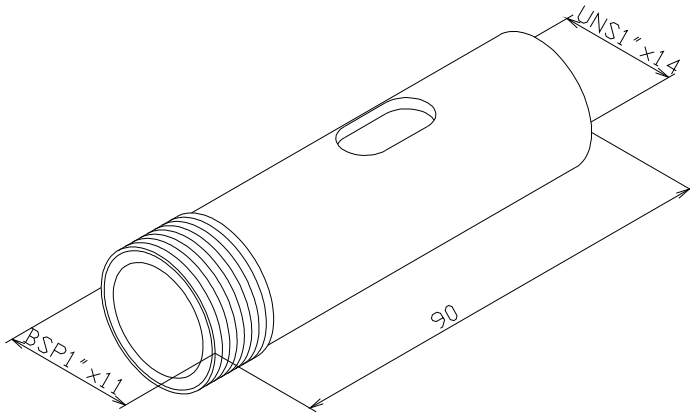
Instead of using the adapter, the antenna can be mounted at a pipe with BSP1" x 11 male threads.

Available in: 4ft. Ref.no.:014685

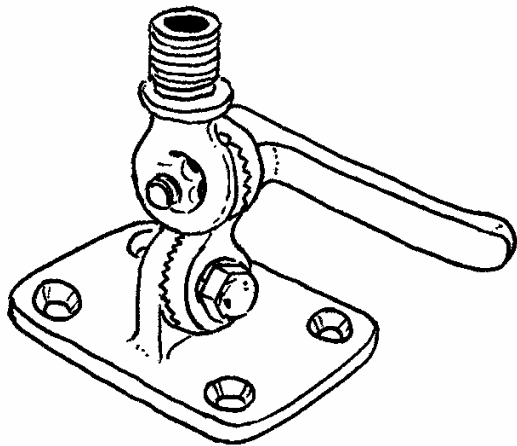
Suitable cable: RG58, RG213 or similar.

BSP : British Standard Pipe
 UNS: Unifield Special

Supplement: (optional extra)



4 way bracket.



Extension Masts.

