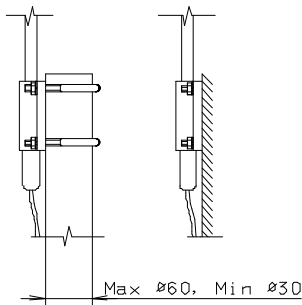


COMROD AC16M4-US

Dual Band Cellular



Connector



Application:

The AC16M4-US is a high quality antenna designed for the analog/digital 800 and PCS 1900 cellular radio telephone service. It is a high quality antenna with a durable construction and a beautiful finish for installation on all kinds of vessels.

It does not require a ground plane.

Electrical specifications:

Frequency range	824-894 MHz, VSWR < 2.5 1850-1990MHz, VSWR < 2
Nominal impedance	50 ohm
Power rating	25 W
Gain	3 dB
Pattern	Horizontal plane: Omnidirectional
Polarization	Vertical
Connector	N female is standard

Mechanical specifications:

Design	Brass dipole. Radiating elements completely enclosed in polyurethane foam within a fiberglass tube.
Height	4' (1,25m)
Weight	0.7 kg
Wind rating	55 m/s = 125 mph
Finish	Stainless steel, polyurethane lacquer, white
Temperature range	-55 °C, +71 °C; -67 °F, +160 °F

Mounting:

AC16M4 is easily mounted to the bulkhead by means of 4 holes in the aluminium bracket, or to a mast or tube with U-bolts. The tube may be horizontal or vertical. The U-bolts in stainless steel, are included. Suitable cable: RG58, RG213 or similar.

Cellular wireless communication systems covered by AC16/M4-US:

	System		Frequency
Analog 800	FDMA	Hand: 824-849 MHz Base: 869-894 MHz	824-894 MHz
Digital 800	TDMA, hybrid TDMA/FDMA, CDMA	Hand: 824-849 MHz Base: 869-894 MHz	824-894 MHz
PCS 1900 (digital)	TDMA, CDMA og GSM	Hand: 1850-1910 MHz Base: 1930-1990 MHz	1850-1990 MHz