

# COMROD AC16BI8-US

## Dual Band Cellular

### Application:

The AC16BI8-US is a high quality antenna designed for the analog/digital 800 and PCS 1900 cellular radio telephone service. It is a high quality antenna with a durable construction and a beautiful finish for installation on all kinds of vessels.

It does not require a ground plane.

### Electrical specifications:

Frequency range	824-894 MHz, VSWR < 2.5 1850-1990MHz, VSWR < 2
Nominal impedance	50 ohm
Power rating	25 W
Gain	3 dB
Pattern	Horizontal plane: Omnidirectional
Polarization	Vertical
Connector	BNC female is standard

### Mechanical specifications:

Design	Brass dipole. Radiating elements completely enclosed in polyurethane foam within a fiberglass tube.
Height	8' (2.45m)
Weight	1.2 kg
Wind rating	55 m/s = 125 mph
Finish	Stainless steel, polyurethane lacquer, white
Temperature range	-55 °C, +71 °C; -67 °F, +160 °F

### Mounting:

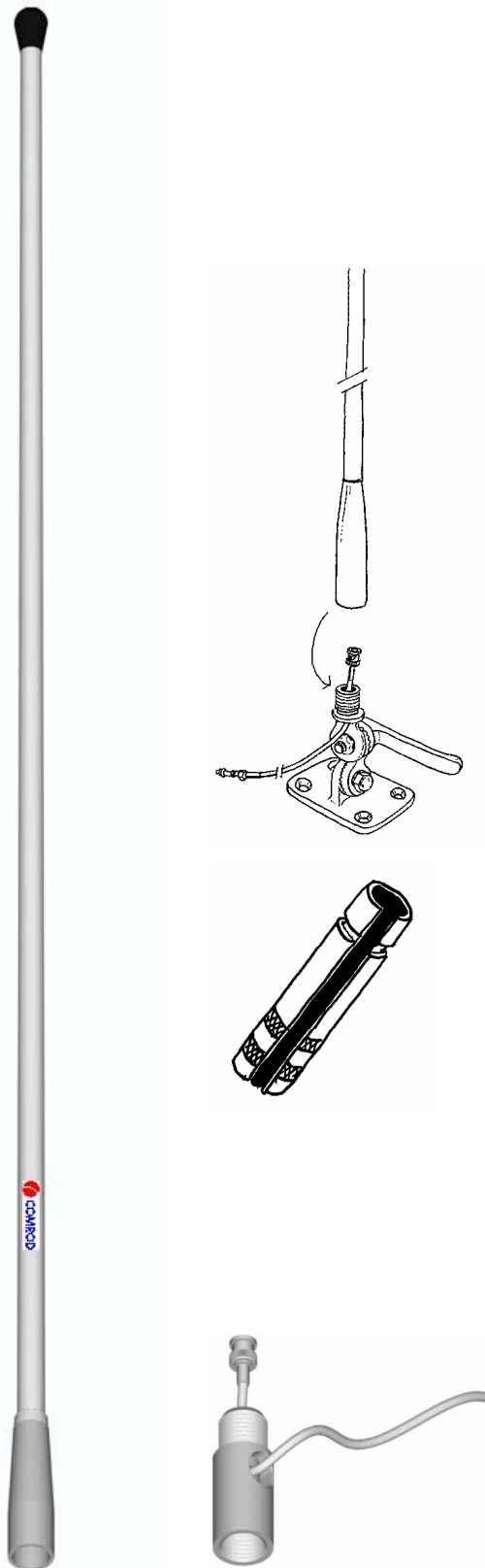
The AC16BI8-US is fitted with UNS1"x14 female ferrules. Can be used with all standard mounting accessories.

Integrated BNC female coaxial connector.

All BI versions come with a tool to mount the BNC male coaxial connector inside the stainless steel ferrule.

AV-C adapter: To be able to make 8ft. -BI version antennas - to a side feed cable version (to compensate for all C-version) - AV-C adapter is required.

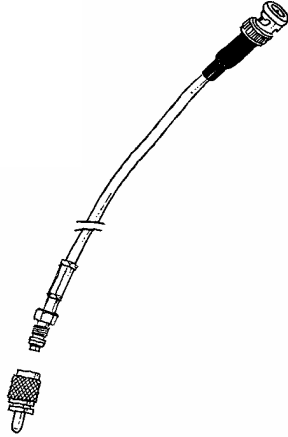
4-way bracket and coaxial cable not included  
UNS: Unifield Special



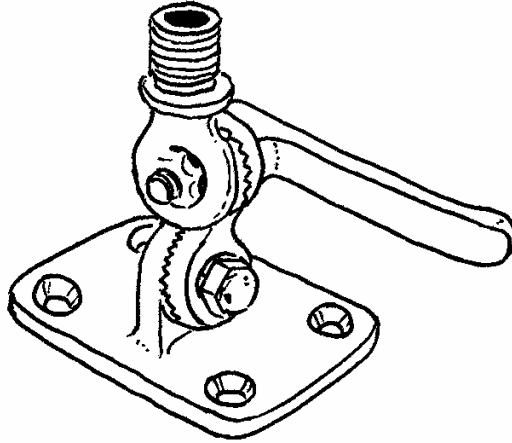
Supplement: (optional extra)

RG58 Cable.

Available in:  
40ft 12m.  
23ft 7m.  
16ft 5m.  
2ft 0,6m.



4 way bracket.



Extension Masts.



### Cellular wireless communication systems covered by AC16/BI-US:

	System		Frequency
Analog 800	FDMA	Hand: 824-849 MHz Base: 869-894 MHz	824-894 MHz
Digital 800	TDMA, hybrid TDMA/FDMA, CDMA	Hand: 824-849 MHz Base: 869-894 MHz	824-894 MHz
PCS 1900 (digital)	TDMA, CDMA og GSM	Hand: 1850-1910 MHz Base: 1930-1990 MHz	1850-1990 MHz